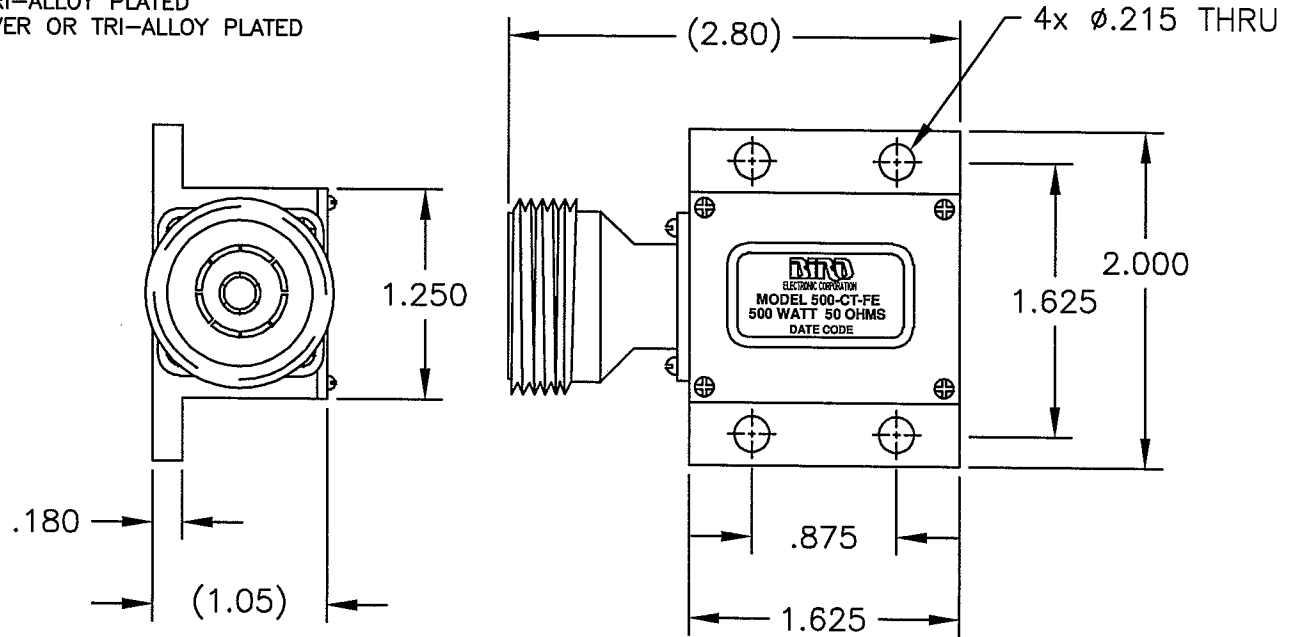


**SPECIFICATIONS:**

POWER: 500 W AVG. - 2KW PEAK  
 - WHEN MOUNTED TO A HEAT SINK  
 CAPABLE OF MAINTAINING THE  
 BASE AT OR BELOW 100°C  
 FREQUENCY RANGE AND VSWR  
 DC TO 1GHz AT 1.15:1 MAX.  
 1GHz TO 3GHz AT 1.30:1 MAX.  
 CONNECTOR: IEC 7/16 FEMALE  
 FINISH: BODY-SILVER OR TRI-ALLOY PLATED  
 CONNECTOR - SILVER OR TRI-ALLOY PLATED

REVISIONS		DWG. NO.	500-CT-FE	SHEET	REV
ZONE	REV	DESCRIPTION	DATE	APPROVED	
	A	ECN #0286	4-18-02	<i>MRV</i>	



UNLESS OTHERWISE SPECIFIED  
 DIMENSIONS ARE IN INCHES  
 TOLERANCES ARE:  
 FRACTIONS DECIMALS ANGLES  
 ± 1/64 .XX = ±.010 ± 30'  
 .XXX = ±.005

MILLIMETERS  
 .X = ±.4  
 .XX = ±.12

THIS DRAWING IS THE PROPERTY OF THE BIRD ELECTRONIC CORPORATION. THE DESIGNS AND SPECIFICATIONS DISCLOSED HEREON ARE PROPRIETARY AND SHALL NOT BE REPRODUCED, NOR COPIED, NOR USED AS THE BASIS FOR THE MANUFACTURE OR SALE OF APPARATUS OR DEVICES WITHOUT THEIR EXPRESS WRITTEN CONSENT.



MATERIAL	DO NOT SCALE DRAWING	
FINISH		

APPROVALS	DATE
DRAWN D.M.RINK	5-30-03
CHECKED	
APPROVED <i>MRV</i>	6-23-03
	AUTOCAD

TITLE			
TERMINATION IEC 7/16, 500W			
SIZE	FSCM NO.	DWG. NO.	REV
A	70998	500-CT-FE	A
SCALE	COMM CODE	SHEET	
1:1	LD1	1 OF 1	